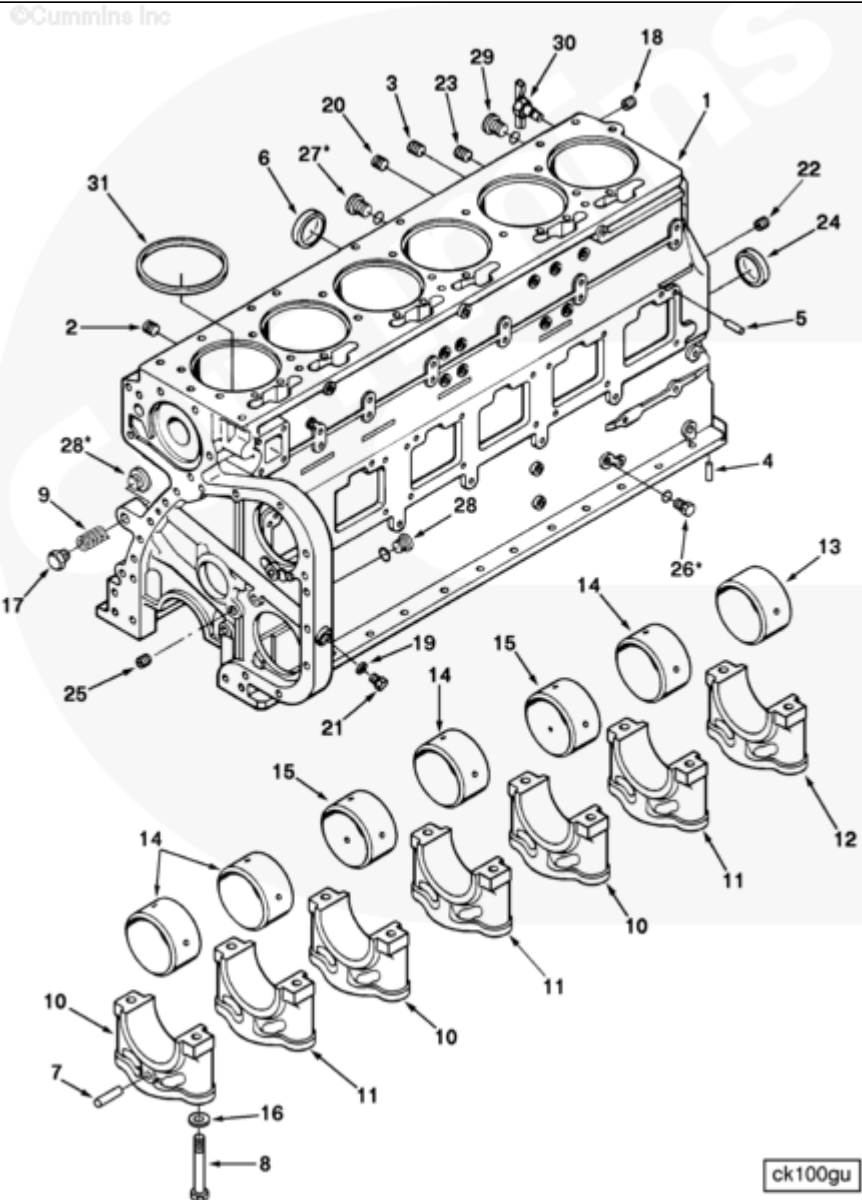




Parts Catalog - Option Detail

Electronic Parts Catalog - Option Detail				
Option	Group	Graphic	Film Card	Date
BP1126	01.01	ck100gu	F	15-SEP-94
Engines	NH/NT 855, NT495, NT743, NTA855 N106			



[SMALL](#) | [MEDIUM](#) | [LARGE](#)

Cart	Ref No	Part Number	Part Description	Required	Remarks
View My Cart					
		BP1126	Cylinder Block		

					Cylinder Block
					Base parts for naturally
					aspirated Big Cam I 855
					Industrial engines. Includes
					soft block. Does not include
					piston cooling. Do not use
					with Cummins two cylinder
					compressor (cam follower
					interference). For Brazil,
					use AR87259 in place of
					AR3315 and AR87260 in place
					of 3004924.
<input type="checkbox"/>		3081284	Cylinder Block		
	1	3081281	Cylinder Block	1	
<input type="checkbox"/>	2	S 908	Pipe Plug	1	3/8 NPT
<input type="checkbox"/>	3	S 910 B	Pipe Plug	1	1/4 NPT.
<input type="checkbox"/>	4	67211	Pin Dowel	2	
<input type="checkbox"/>	5	68585	Pin Dowel	6	
<input type="checkbox"/>	6	147416	Expansion Plug	6	
<input type="checkbox"/>	7	202903	Roll Pin	2	
<input type="checkbox"/>	8	208346	Hexagon Head Cap Screw	14	3/4 - 16 x 6 5/8 in.
<input type="checkbox"/>	9	213206	Piston Cooling Plug Spring	1	
<input type="checkbox"/>	10	3008047	Main Bearing Cap	3	
<input type="checkbox"/>	11	3008048	Main Bearing Cap	3	
<input type="checkbox"/>	12	3008049	Main Bearing Cap	1	
<input type="checkbox"/>	13	3011951	Bushing	1	No. 7
<input type="checkbox"/>	14	3028075	Bushing	4	No. 1, 2, 4 and 6
<input type="checkbox"/>	15	3028269	Bushing		
<input type="checkbox"/>	16	3046246	Plain Washer	14	3/4 inch

<input type="checkbox"/>	17	3068100	Orifice Plug	1	
<input type="checkbox"/>	18	S 966 E	Pipe Plug	1	1 1/2 NPT
<input type="checkbox"/>	19	66292	Plain Washer	1	7/8 in.
<input type="checkbox"/>	20	3025458	Pipe Plug	4	1/8 NPT.
<input type="checkbox"/>	21	210884	Threaded Plug	1	7/8 - 18 UNS
<input type="checkbox"/>	23	3008468	Pipe Plug	3	1/2 NPT.
<input type="checkbox"/>	24	3011952	Expansion Plug	1	
<input type="checkbox"/>	25	3013786	Pipe Plug	3	3/8 NPT.
<input type="checkbox"/>	26	3037536	Threaded Plug	2	9/16 - 18 UNF
<input type="checkbox"/>	27	3040818	Threaded Plug	2	1 3/16 - 12 UN
<input type="checkbox"/>	28	3046202	Threaded Plug	4	3/4 - 16 UNF.
<input type="checkbox"/>	29	3071181	Threaded Plug	1	3/8 - 24 UNF
<input type="checkbox"/>		3065118	Plain Adapter Elbow	1	
<input type="checkbox"/>	30	3087690	Draincock	1	
<input type="checkbox"/>		3037537	O-Ring Seal	1	
<input type="checkbox"/>		3087691	Draincock	1	
<input type="checkbox"/>	31	3054948	Liner Seal Ring	6	
					*Hardware kit that
					accompanies the block
					assembly. Refer to Topic
					90T1-7.
<input type="checkbox"/>		3801106	Camshaft Bushing Kit	1	
		3800219	Kit , Pdc Cam Shaft Bushing	1	
<input type="checkbox"/>		3011951	Bushing	1	
<input type="checkbox"/>		3028075	Bushing	4	
<input type="checkbox"/>		3028269	Bushing	2	